

ZHP-1550 Solenoid Pump

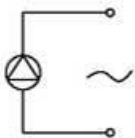
ISO/TS16949 ISO9000 ISO14000
RoHS REACH CE UL VDE TÜV



总重量 Total Weight: 450g
应用范围: 用于咖啡机、清洁机等
APPLICATION: Coffee machine And Cleaner ect

综合特性 GENERAL FEATURES

电气连接 (交流) 直接安装
ELECTRICAL CONNECTION (AC) made as shown on the diagram



(直流) 需要使用一个方波脉冲转换器
(DC) requires the use of a square waves impulse converter

空载时间 ≤3分钟
NONLOADED TIME ≤3minute

寿命 20000循环
WORKLIFE 20000 CYCLE

工作周期 1.5分钟
WORKCYCLE 1.5Min

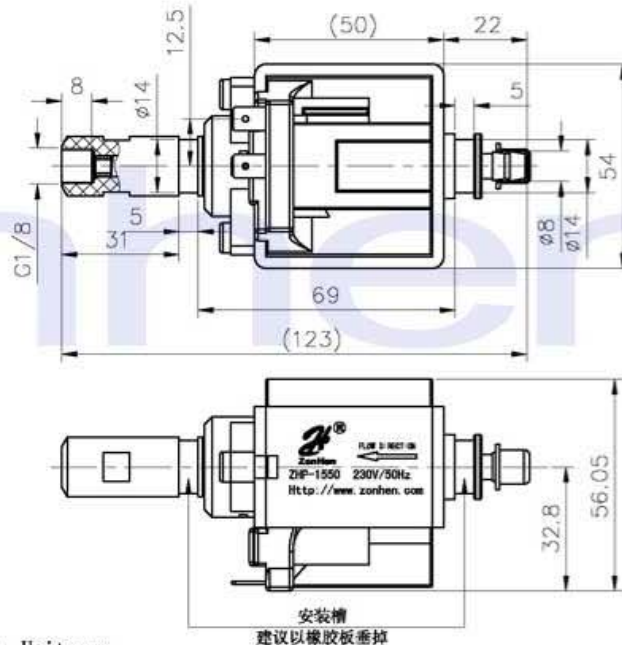
活塞和弹簧 高耐腐蚀不锈钢
PISTON AND SPRING stainless steel high corrosion resistance

流体 水和无腐蚀性介质
FLUIDS water and ono corrosive media

抽吸距离 泵体与液面高度差按100±10cm, 进水侧胶管长为100±10cm, 抽吸出水时间≤8Sec

SUCTION PREVALENCE Height (Pump)-Height (Liquid level)=100±10cm, the lenght of inlet host is 100±10cm, the time of pump water≤8Sec

类型: 水泵 TYPE: Water Pump



单位:mm Units:mm

PRODUCT DATA 产品资料

Product type	Duty Cycle (%)	Nominal voltage (VAC)	Coil Resistance (Ω)	Power Consumption (W)	0Bar Flow Rate (cc/min)	Max Pressure (Bar)	Insulation class	Max noise (dB)
产品型号	工作周期	额定电压	电阻(Ω)	功率(w)	0Bar流量 (cc/min)	极限压力 (bar)	绝缘等级	噪声 (dB(A))
ZHP-1550-230A1100	50	230	165	45	600	15	class:F (155)	75
ZHP-1550-230B1100	50	230	165	45	450	20	class:F (155)	75

Flow curve 流量曲线

